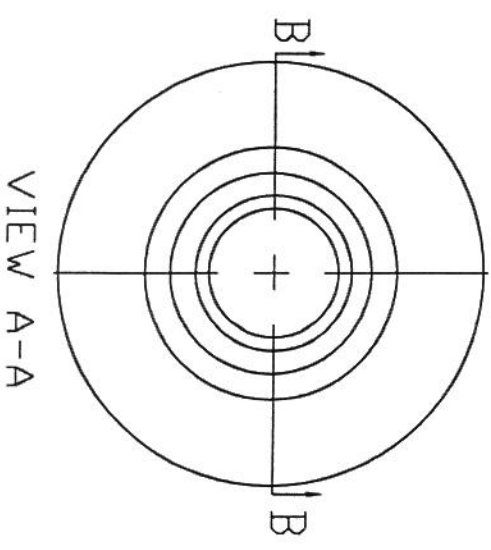
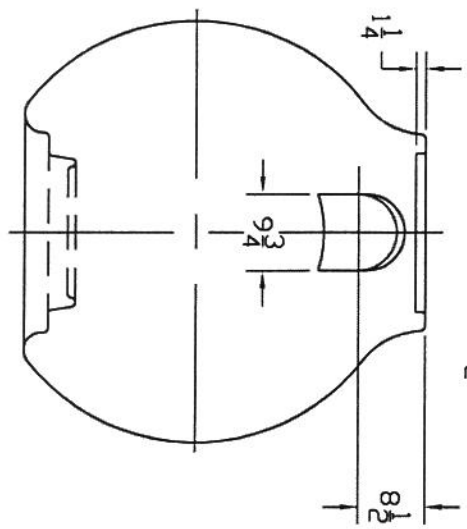
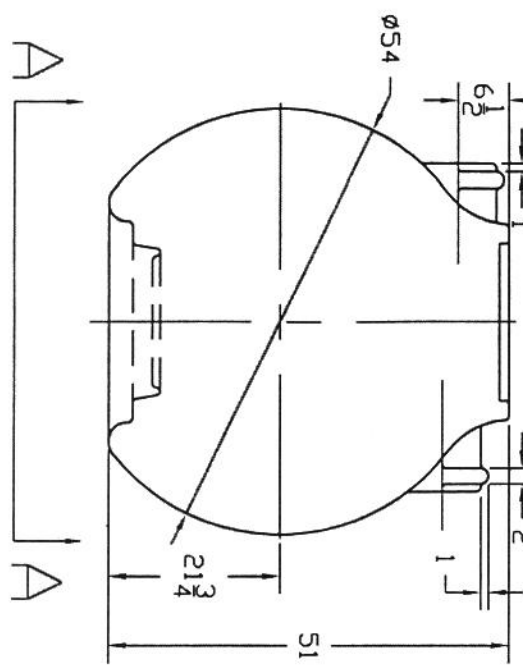
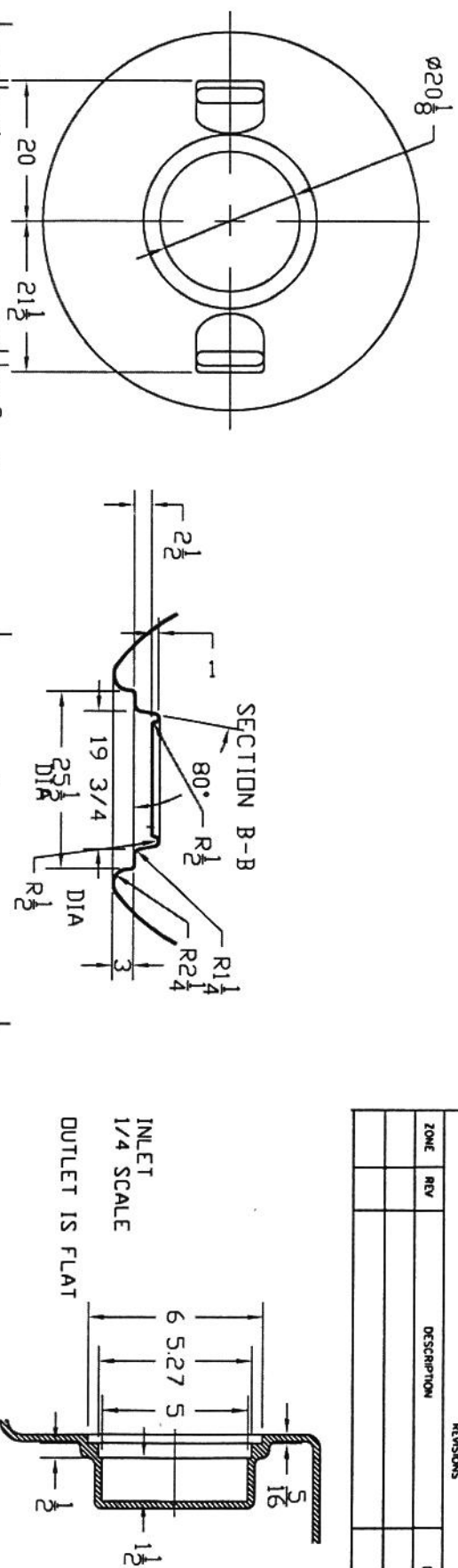


REVISIONS				
ZONE	REV	DESCRIPTION	DATE	APPROVED



VIEW A-A

AVAILABLE AT ALL LOCATIONS

		ST. BONIFACIUS, MN	
300 GALLON		SEPTIC TANK	
JTP	13APR01	SCALE	1/16
SIZE	B	FIG. NO.	41319
REV		SHEET	