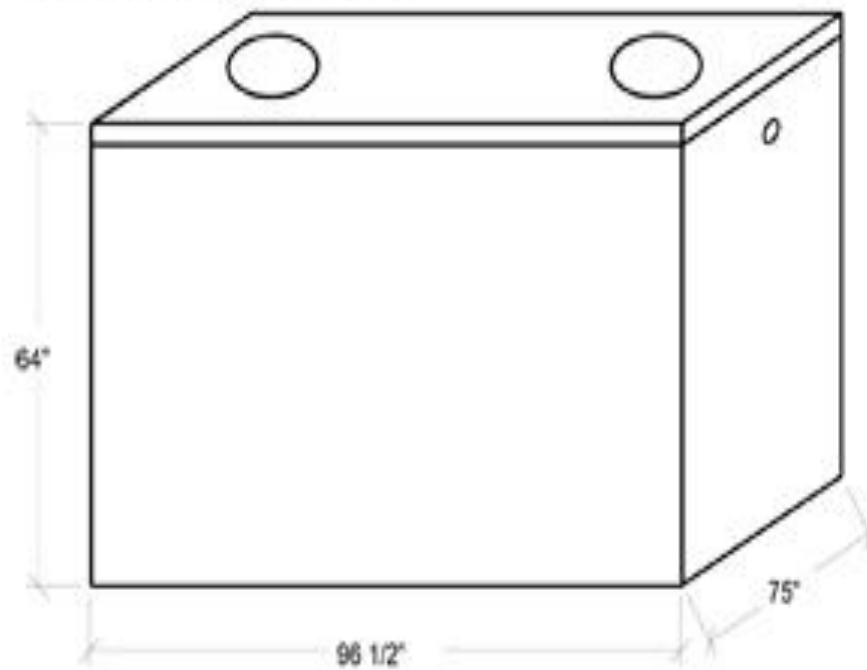


1000 Gallon Septic Tank

DIMENSIONS: 96 1/2" X 75" X 64"High

WEIGHT: 3.8 TON TANK/ 1 TON LID

3 DIMENSIONAL VIEW



TOP VIEW

