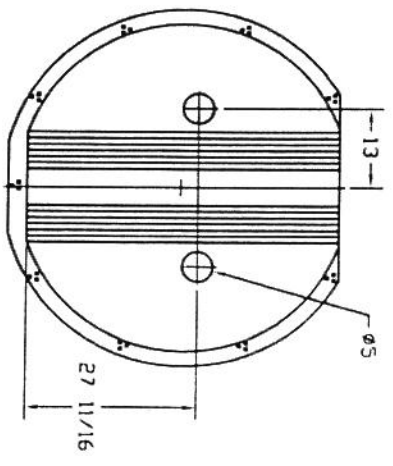
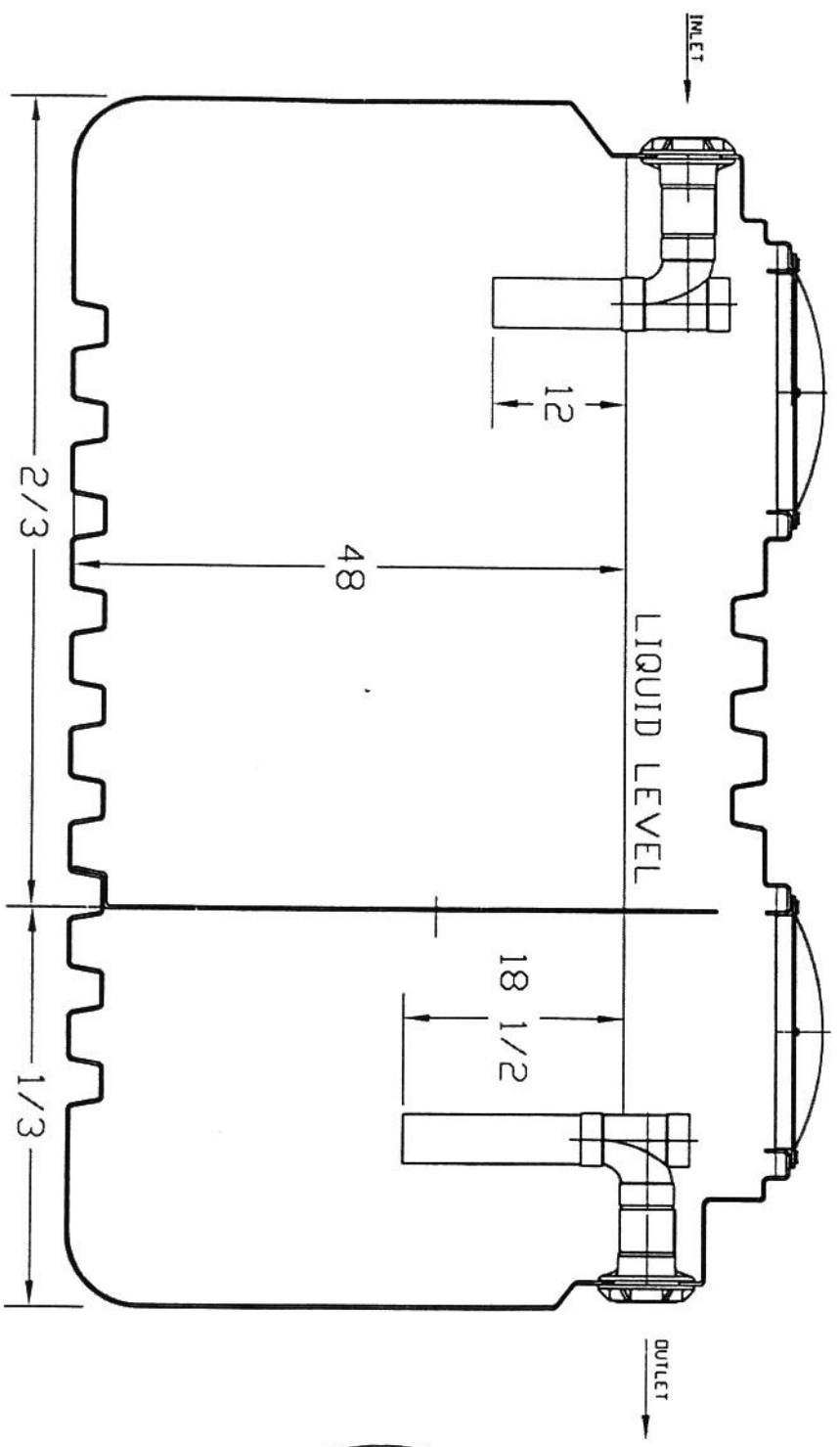


REVISIONS				
ZONE	REV	DESCRIPTION	DATE	APPROVED



DIVIDER DETAILS  
1/32 SCALE

		ST. BONIFACIUS, MN	
		1000 GALLON TWO-MANHOLE SEPTIC TANK--CANADA	
JTP	08DCT03	SIZE	FSCM NO.
A		SCALE 1/16	DWG NO. 41724
			REV